

Position Detector Solution S-POSITION

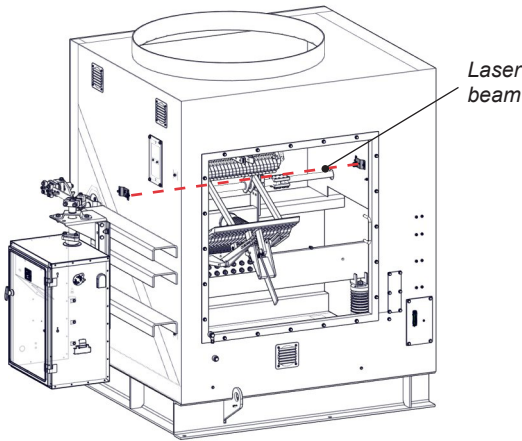
How to optimize installation security, reliability and precision ?



S-Position

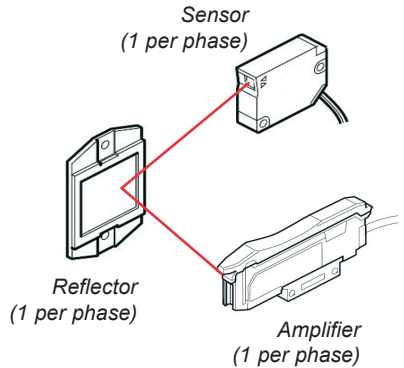
Solution : S-Position allows to prevent mechanical failures by monitoring permanently and precisely closed or opened position of all power plant disconnectors in cubicle, insuring reliability of operation.

Compatible and interchangeable with any disconnector or electrical operating mechanism, this laser device detects position of each phase, transmits information of total opening or closure position (and/or non-opened / non-closed position) by relays (dry contacts) and/or by visual alert (outside of cubicle or operating mechanism).



SB250FB with S-Position device in cubicle

S-Position is composed of :



Operating principle

Technical specifications

- Suitable to any voltage (high voltage)
- Dedicated to disconnectors in cubicle
- Compatible with any electrical drives
- Configurable position information as required by customer
- No special storage conditions
- Distance of detection : up to 2 m
- Maintenance: Zero maintenance
- Precision of detection point : \varnothing 2,5 mm
- Laser dimension: 23x18x8,5 mm
- Amplifier dimension: 80x36x9 mm
- Reflector dimension: 45x29x5 mm

Scope of supply

- 1 Sensor X number of phases
- 1 Reflector X number of phases
- 1 Amplifier X number of phases
- Alim12 supply converter
- Transformer
- Dedicated relays



SDCEM Solutions

In order to guide customers towards more innovative and environmentally sustainable solutions, SDCEM offers a range according to your needs.

Associated to the operating mechanism MR41E, the securing solutions, energy efficiency solutions and predictive maintenance solutions enable maximum efficiency of your operations.

Securing Solutions

Networking EOMs
for enhanced
communication

S-Com

Wireless
communication
for remote control

S-Wicom

- Network communication through fully-secured protocols
- Smart and proactive monitoring
- Strong optimization of the cable lengths or wireless solution !

Energy Efficiency Solutions

Energizing with
NO CABLES

S-Eco

Energizing with
THINNER CABLES

S-Param

- Cable cost huge savings
- Consumption reduction
- Installation costs reduction using green energy

Predictive Maintenance Solutions

Light information
on the EOM
status

S-Lux

Detection of
linkage defect

S-Torque

- Smart monitoring and alerting only when necessary
- Visual control for better identification of a default
- Predictive maintenance information