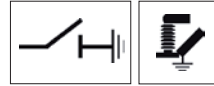


ST90



OUTDOOR EARTHING SWITCH UP TO 52kV



MAIN FEATURES

- Used for power transmission and distribution (SVC & Statcom substations) and for power generation phase reverse or line disconnecting.
- Arrangement in horizontal, vertical, reversed or «flag» position, single-pole or group operated. Option: enclosure/cubicle, common frame for easy installation.
- Standards references : IEC 62271-1 -2 -102 -200.

TECHNICAL FEATURES

SERVICE CONDITIONS

Condition of use	Outdoor or cubicle
Operating temperature range	-25°C / +40°C (option: special service conditions)
Seismic withstand	≤ 0,2 g (option: higher service conditions)
Ice operation	20 mm (option: other service conditions)

ELECTRICAL

Rated voltage	Ur	kV	24-25,8	36	38	52
Rated lightning impulse withstand voltage (BIL)	Up	kV	125	170	200	250
Rated frequency	f	Hz	50/60			
Short time current	Ik max	kA	100	100	100	63
Breaking capacity			0,5A			

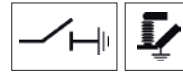
peak values (I_p peak) in kA for short time current: 63kA: 164 - 100kA: 260.

MECHANICAL	standard	option
Mechanical endurance / lifetime	4 000 operations	-
Creepage distance	Cl3 (d)	Cl4 (e)
Insulator type	porcelain (brown)	epoxy (red) or grey porcelain
Primary terminals	silver plated copper pads	tinned copper pads or cylindrical silver plated copper terminals
Interlocking device	mechanical (key lock)	-

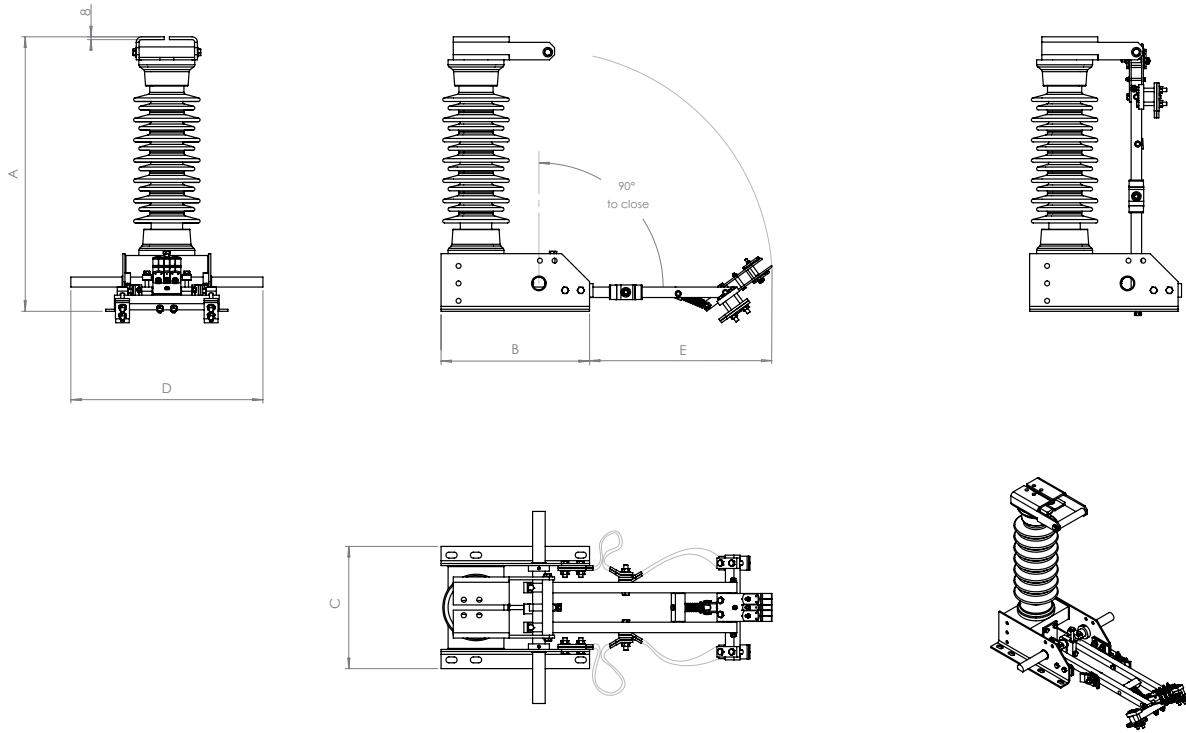
OPTIONAL DEVICES

Configurations	common frame (<BIL 200kV), enclosed
Operating mechanisms	electrical drive or manual drive
Interlocking device	mechanical (key lock)

- Not available. For other values, please contact us.



OUTLINE DRAWING

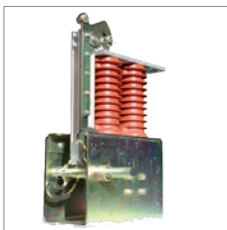


Detailed layout and digital drawing available on request.

Ur	Terminals	A	B	C	D	E
		mm	mm	mm	mm	mm
24kV	H*	530	430	350/550	500/750	?
36kV	H*	671	430	350/550	630	?
38kV	H*	786	430	350/550	550	?
52kV	H*	786	430	350/550	550	?

H = Horizontal. Above are mentioned maximum dimensions, tolerance $\pm 10\%$. For other values, please contact us.

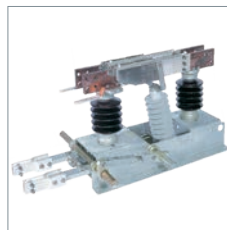
RELATED EQUIPMENT



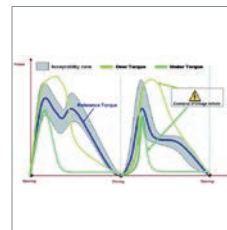
STAS
EARTHING SWITCH



MR41E
UNIVERSAL SMART
DRIVE



SBE
VERTICAL BREAK
DISCONNECTER



S-TORQUE
MECHANICAL FAILURE
AND POSITION
DETECTION



S-OFT
PORTABLE
DIAGNOSTIC TOOL



S-COM
REMOTE CONTROL
BOARD