

OUTDOOR SELECTOR SWITCH UP TO 25kV



MAIN FEATURES

- Used for railway electrification (tunnel, catenaries and feeders).
- Arrangement in reversed position, single-pole or group operated.
- Options: to-rail switch, selector switch or change-over switch version.
- Standards references : IEC 62271-1/102, EN 50152-2, EN 50153-3/4.

TECHNICAL FEATURES

SERVICE CONDITIONS					
Condition of use		Outdoor			
Operating temperature range		-25°C / +40°C (option: special service conditions)			
Seismic withstand		≤ 0,2 g (option: higher service conditions)			
Ice operation		10 mm (option: higher service conditions)			
ELECTRICAL					
Rated voltage	Ur	kV	1,5	3	25
Rated lightning impulse withstand voltage (BIL)	Up	kV	95		250
Rated frequency	Fr	Hz	0 / 16.7 / 50/60		
Rated current	Ir	A	1000	50	-
			1250	-	20
			2000	50	-
			4000	50	-
Short time current (Ik max) kA					
Breaking capacity	0,5A				

peak values (I_p peak) in kA for short time currents: 12.5kA: 32 - 20kA: 52 - 31.5kA: 82 - 50kA: 130.

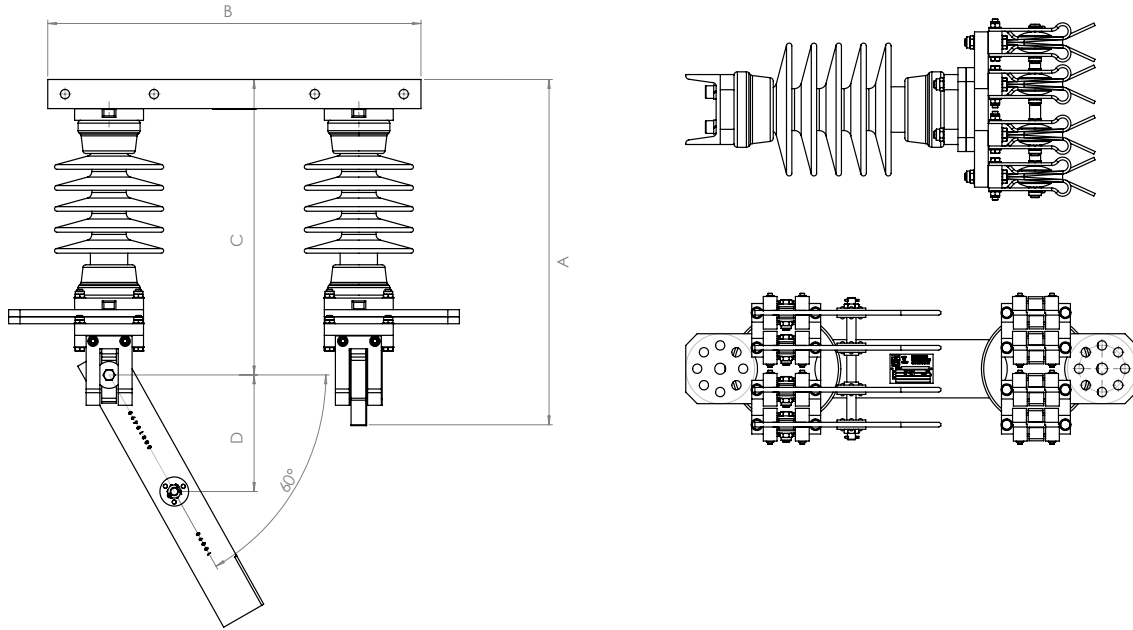
MECHANICAL	standard	option
Mechanical endurance / lifetime	2 000 operations	10 000 operation
Creepage distance	Cl3 (d)	Cl4 (e)
Insulator type	Porcelain (brown)	-
Primary terminals	Nickel plated copper pads	Silver

OPTIONAL DEVICES

Operating mechanisms	Electrical drive or manual drive
Change-over switch	Available for 2000A

For other values, please contact us.

OUTLINE DRAWING

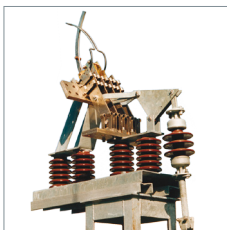


Detailed layout and digital drawing available on request.

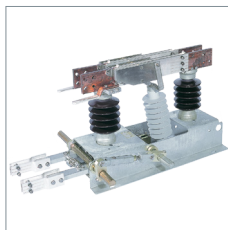
Ur	Ir max	A	B	C	D	Weight/pole (approx.) kg
		mm	mm	mm	mm	
1.5kV	4000A	592	650	507	200	65
3kV	4000A	572	900	485	200	

* V = Vertical. H = Horizontal. Above are mentioned maximum dimensions, tolerance $\pm 10\%$. For other values, please contact us.

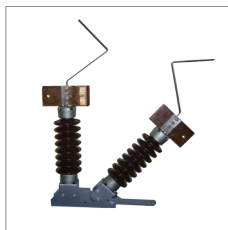
RELATED EQUIPMENT



IT3000
AIR BREAKING
SWITCH



SBE
VERTICAL BREAK
DISCONNECTOR



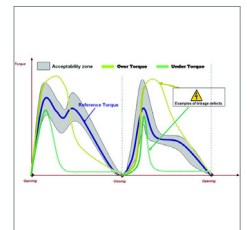
SBR
ROCKING
DISCONNECTOR



S-COM
REMOTE CONTROL
BOARD



S-VOLT
VOLTAGE DETECTOR



S-TORQUE
MECHANICAL FAILURE
AND POSITION
DETECTION