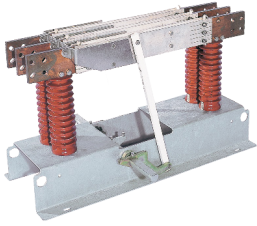


INDOOR VERTICAL BREAK DISCONNECTOR SWITCH UP TO 38kV

MAIN FEATURES



- Used for power transmission and distribution (MV/HV substations, industries), for railway electrification (substations, urban networks and tunnel application) and for power production.
- Arrangement in horizontal, vertical, reversed position, single-pole or group operated.
Options : earthing switch, enclosure/cubicle, common frame up to 38kV, grease free version for low maintenance, flexible drive rod for tunnel arrangement.
- Standards references: IEC 62271-1/102/200.

TECHNICAL FEATURES

SERVICE CONDITIONS									
Condition of use		Indoor							
Operating temperature range		-25°C / +40°C (option : special service conditions)							
Seismic withstand		≤ 0,2 g (option : higher service conditions)							
Ice operation		NA							
ELECTRICAL									
Rated voltage	Ur	kV	3,6	7,2	24	36-38			
Rated lightning impulse withstand voltage (BIL)	Up	kV	40	60	125	170			
Rated frequency	Fr	Hz	DC / 16,7 / 50 / 60						
Rated current	Ir	A	1250	31,5	31,5	31,5	31,5		
			2000	31,5	31,5	31,5	31,5		
			3150	63	63	63	63		
			4000	-	-	63	63		
			6300	-	-	63	63		
Short time current (Ik max) kA			8000	-	-	80	80		
			Breaking capacity						0,5A

peak values (I_p peak) in kA for short time currents: 31.5kA: 82 - 63kA: 164 - 80kA: 208.

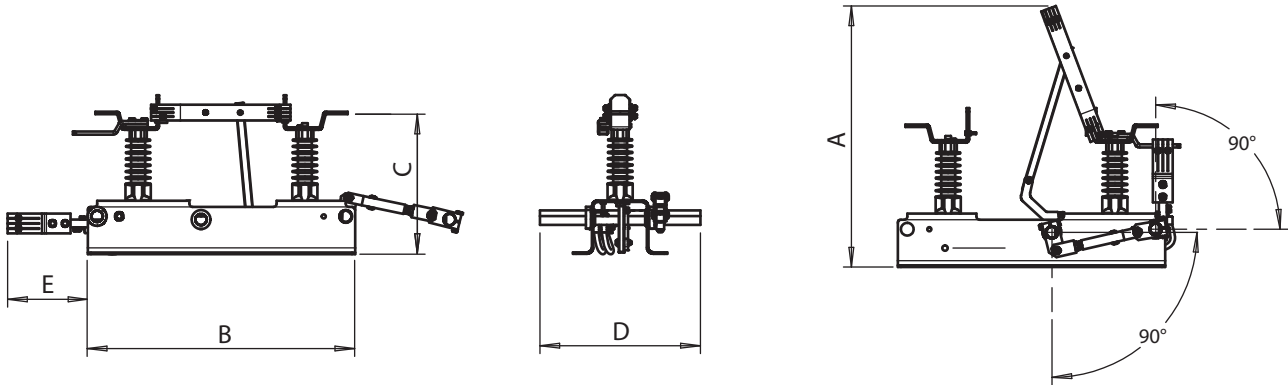
MECHANICAL	standard	option
Mechanical endurance / lifetime	2 000 operations	10 000 operations
Creepage distance	Cl3 (d) or Cl4 (e)	-
Insulator type	Epoxy (red)	Silicone (grey) or porcelain (brown)
Primary terminals	Bare copper pads	Tinned copper, silver plated copper or aluminium pads

OPTIONAL DEVICES

Configurations	Common frame (< BIL 200kV), enclosed, grease free, flexible rod
Operating mechanisms	Electrical drive or manual drive
Quick making device (FB)	24 kV (7000A under 3kV / 0,4s)
Small current breaking and making device (arcing horns)	Available
Earthing switch position	1 side or both sides
Earthing switch operation type	Independant, automatic *
Ik earthing switch (kA/1s)	Disconnecter values with tk:1s (contact us for 3s values)
Interlocking device	Mechanical (key lock)

- Not available. * When disconnector opens, earthing switch closes and conversely. For other values, please consult us.

OUTLINE DRAWING



Detailed layout and digital drawing available on request.

Terminal pads	Ir	Nb pads	Position	Ir	Nb pads	Position	Ir	Nb pads	Position	Ir	Nb pads	Position
		1250A/2000A	1	H*	3150A/4000A	1	V*	6300A	2	V*	8000A	3

Ur	Ir max	A	B	C	D	E	Weight/pole (approx.)
		mm	mm	mm	mm	mm	

3,6kV	3150A	570	790	415	500	-	from 30 to 108
7,2kV	3150A	910	850	495	510	285	
24kV	8000A	950	850	495	630	255	
36-38kV	8000A	1125	1000	580	630	340	

* V = Vertical. H = Horizontal. Above are mentioned maximum dimensions, tolerance $\pm 10\%$. For other values, please consult us.

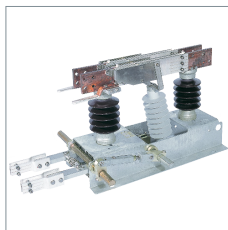
RELATED EQUIPMENT



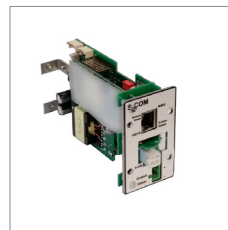
MR41E
UNIVERSAL SMART
DRIVE



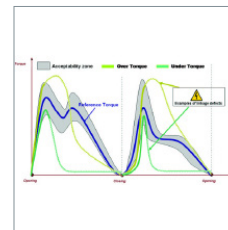
SB250
VERTICAL BREAK
DISCONNECTOR



SBE
VERTICAL BREAK
DISCONNECTOR



S-COM
REMOTE CONTROL
BOARD



S-TORQUE
MECHANICAL FAILURE
AND POSITION
DETECTION



S-POSITION
POSITION INDICATOR