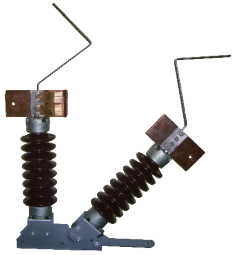


OUTDOOR ROCKING DISCONNECTOR SWITCH UP TO 52 kV



MAIN FEATURES

- Used for railway electrification of catenaries and feeders for 3kV or 25kV or 2x25kV networks.
- Arrangement in horizontal or vertical position, single-pole or group operated.
Options: to rail switch, common frame, grease free version for low maintenance.
- Standards references : IEC 62271-1/102, EN 50152-2,

TECHNICAL FEATURES

SERVICE CONDITIONS				
Condition of use		Outdoor		
Operating temperature range		-25°C / +40°C (option: special service conditions)		
Seismic withstand		≤ 0,2 g (option: higher service conditions)		
Ice operation		1 mm (option : special service conditions)		
ELECTRICAL				
Rated voltage	Ur	kV	3	25
Rated lightning impulse withstand voltage (BIL)	Up	kV	95	250
Rated frequency	Fr	Hz	0 / 16.7 - 50/60	
Rated current (max)	Ir	A	1250	31,5
Short time current (Ik) kA			2500	40
Breaking capacity				0,5A

peak values (Ip) in kA for short time currents: 31.5kA: 82 - 40kA: 104.

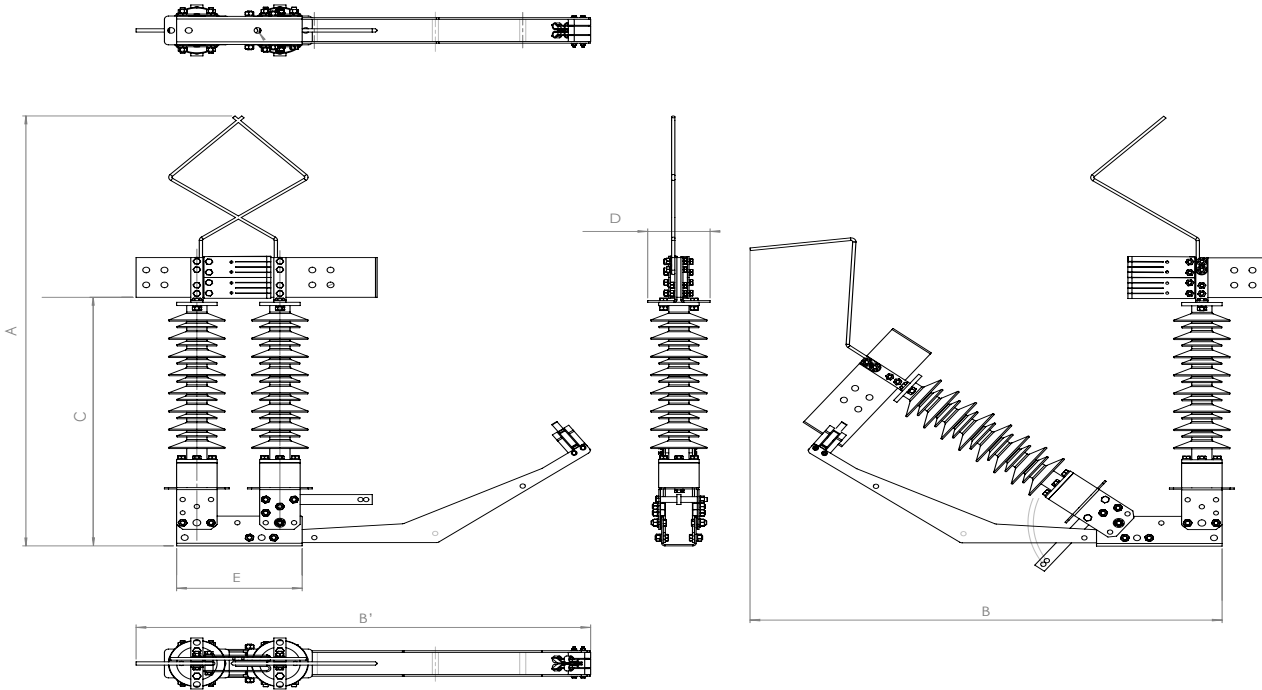
MECHANICAL	standard	option
Mechanical endurance / lifetime	2 000 operations	10 000 operations
Creepage distance	C13 (d)	C14 (e)
Insulator type	Porcelain (brown)	Silicone (grey)
Primary terminals	Copper pads	Tinned copper, silver plated copper

OPTIONAL DEVICES

Configurations	Common frame (< BIL 200kV), grease free version
Operating mechanisms	Electrical drive or manual drive
Small current breaking and making device (arcing horns)	I4a: 10A
To rail switch position	1 side
To rail switch operation type	Automatic*
Ik earthing switch	To rail switch

* When disconnecter opens, earthing switch closes and conversely.
For other values, please contact us.

OUTLINE DRAWING

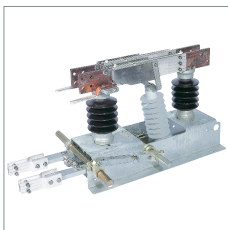


Detailed layout and digital drawing available on request.

Ur	Ir max	Terminals	A	B	B'	C	D	E
			mm	mm	mm	mm	mm	mm
52kV	2500A	V*	1300	1250	1122	760	160	360

* V = Vertical. Above are mentioned maximum dimensions, tolerance $\pm 10\%$. For other values, please contact us.

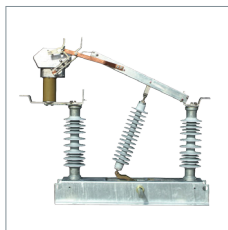
RELATED EQUIPMENT



SBE
VERTICAL BREAK
DISCONNECTOR



ITR
ROCKING VACUUM
BREAK SWITCH



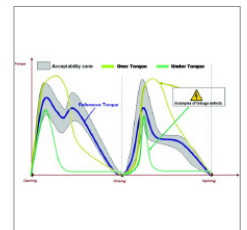
IT25N
VACUUM
BREAK SWITCH



S-COM
REMOTE CONTROL
BOARD



S-VOLT
VOLTAGE DETECTOR



S-TORQUE
MECHANICAL FAILURE
AND POSITION
DETECTION