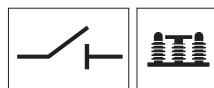


SR16201H



DOUBLE BREAK DISCONNECTOR SWITCH UP TO 550kV



MAIN FEATURES

- Used for power transmission and distribution (MV/HV and VHV substations, industries), for railway electrification (traction substations, catenaries and feeders.).
- Arrangement in horizontal position, single-pole or group operated.
Options : earthing switch, enclosed/cubicle, grease free version.
- Reference of standards: IEC 62271-1/102, EN 50152-2.

TECHNICAL FEATURES

SERVICE CONDITIONS															
Condition of use	Outdoor														
Operating temperature range	-25°C / +40°C (option : special service conditions)														
Seismic withstand	≤ 0,2 g (option : special service conditions)														
Ice operation	1 mm (option: higher service conditions)														
ELECTRICAL															
Rated voltage	Ur	kV	52	72,5	100	123	145	170	245	300	362	420	550		
Rated lightning impulse withstand voltage (BIL)	Up	kV	250	325	450	550	650	750	1050	1175	1300	1425	1550		
Rated frequency	Fr	Hz	16.7 - 50/60												
Rated current	Ir	A	1250	31,5	31,5	31,5	31,5	31,5	31,5	31,5	31,5	31,5	31,5	31,5	
			2000	40	40	40	40	40	40	40	40	40	40	40	40
			3150	63	63	63	63	63	63	63	63	63	63	63	63
Short time current (Ik max) kA/3s			4000	63	63	63	63	63	63	63	63	63	63	63	
Breaking capacity	0,5A														

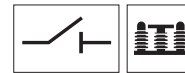
peak values (Ip peak) for short time currents: 31.5kA:82, 40kA:104, 50kA:130, 63kA:164, 80kA:208.

MECHANICAL	standard	option
Mechanical endurance / lifetime	2 000 operations	10 000 operations
Creepage distance	Cl3 (d)	Cl4 (e)
Insulator type	Porcelain (brown)	Silicone (grey)
Primary terminals	Aluminium pads	Cylindrical bare copper terminals

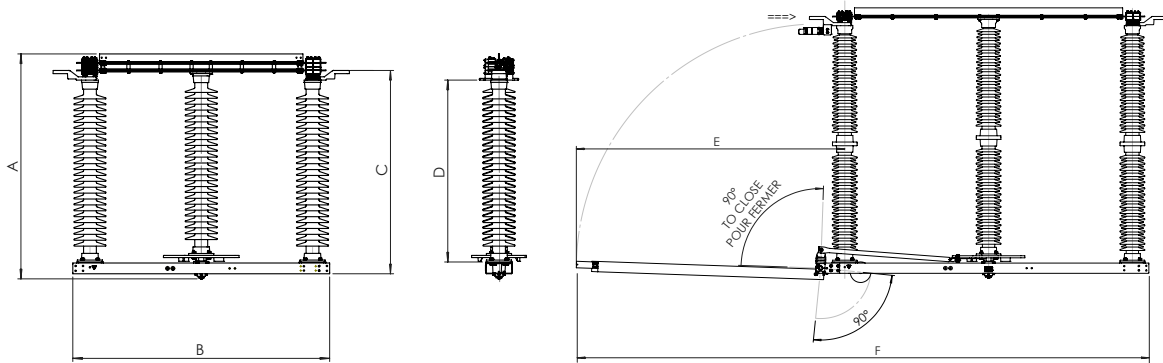
OPTIONS

DISCONNECTOR (DS) AND ASSOCIATED EARTHING SWITCH (ES)	
Configurations	Gang operated ≤ 245kV, enclosed, grease free version
Operating mechanisms	Electrical drive or manual drive
Earthing switch position	1 side or both sides, axial or perpendicular (depending on voltage)
Earthing switch operation type	Independant
Ik earthing switch (kA/1s)	Disconnecter values with tk:1s (contact us for 3s values)
Interlocking device	Mechanical
Bus-transfer current switching	IEC 62271-102
Induced current switching	IEC 62271-102

For other values, please contact us.



OUTLINE DRAWING

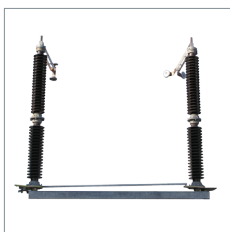


The drawing above is given for information only. Detailed layout and digital drawing available upon request.

Ur	Ir max	Terminals	A	B	C	D	E	F	Weight/pole (approx.) kg
			mm	mm	mm	mm	mm	mm	
52kV	4000A	H*	965	1150	780	560	890	1890	130
72,5kV	4000A	H*	1175	1350	990	770	1105	2305	160
100kV	4000A	H*	1425	1600	1240	1020	1305	2820	220
123kV	4000A	H*	1590	2120	1390	1200	1525	3485	270
145kV	4000A	H*	1890	2120	1690	1500	1815	3775	300
170kV	4000A	H*	2100	2320	1900	1700	2005	4165	440
245kV	4000A	H*	2700	3120	2500	2300	2615	5575	700
300kV	4000A	H*	3160	3820	2850	1650	3030	6690	750
362kV	4000A	H*	3410	4420	3100	2900	3280	7540	950
420kV	4000A	H*	4035	5200	3730	3350	3925	8875	1330
550kV	4000A	H*	4685	6000	4380	4000	4575	10325	1650

* V= Vertical, H= Horizontal, A= Axial, P= Perpendicular. Above are mentioned maximum dimensions. For other values, please consult us.

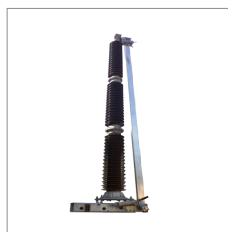
RELATED EQUIPMENT



SR16200
CENTER BREAK
DISCONNECTOR



PE
PANTOGRAPH
DISCONNECTOR



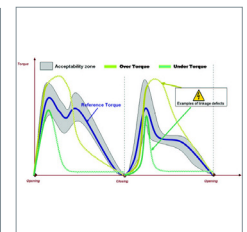
STE
EARTHING SWITCH



S-COM
REMOTE CONTROL
BOARD



S-OFT
PORTABLE
DIAGNOSTIC TOOL



S-TORQUE
MECHANICAL FAILURE
AND POSITION
DETECTION