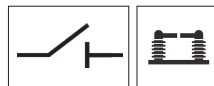
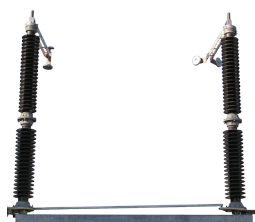


SR16200



OUTDOOR CENTER BREAK DISCONNECTOR SWITCH UP TO 245kV



MAIN FEATURES

- Used for power transmission and distribution (MV/HV substations, industries) and for railway electrification of catenaries, feeders and substations.
- Arrangement in horizontal, vertical position or reversed position, single-pole or group operated. Options: earthing switch, quick breaking device, grease free version for low maintenance. Exists in RTE or SNCF homologated versions.
- Standards references: IEC 62271-1/102.

TECHNICAL FEATURES

| SERVICE CONDITIONS | | | | | | | | | |
|--|----------|---|--------------|-------------|---|------------|------------|------------|------------|
| Condition of use | | Outdoor/Indoor | | | | | | | |
| Operating temperature range | | -25°C / +40°C (option : special service conditions) | | | | | | | |
| Seismic withstand | | ≤ 0,2 g (option : special service conditions) | | | | | | | |
| Ice operation | | up to 10 mm (option : special service conditions) | | | | | | | |
| ELECTRICAL | | | | | | | | | |
| Rated voltage | Ur | kV | 52 | 72,5 | 100 | 123 | 145 | 170 | 245 |
| Rated lightning impulse withstand voltage (BIL) | Up | kV | 250 | 325 | 450 | 550 | 650 | 750 | 1050 |
| Rated frequency | Fr | Hz | 16.7 - 50/60 | | | | | | |
| Rated current | Ir | A | 1250 | 40 | 31.5kA - 80kA Up to 40/100 Up to 50/125 | | | | |
| Short time current (Ik max) kA | | 2000 | 31.5/40 | 40 | | | | | |
| | | 3150 | | 40 | | | | | |
| | | 4000 | | 40 | | | | | |
| Breaking capacity | Optional | | | | | | | | |

| MECHANICAL | standard | option |
|--|-------------------|---------------------------------|
| Mechanical endurance / lifetime | 2 000 operations | 10 000 operations |
| Creepage distance | CI3 (d) | CI4 (e) |
| Insulator type | Porcelain (brown) | Composite (grey) |
| Primary terminals | Aluminium pads | Cylindrical / copper / silvered |

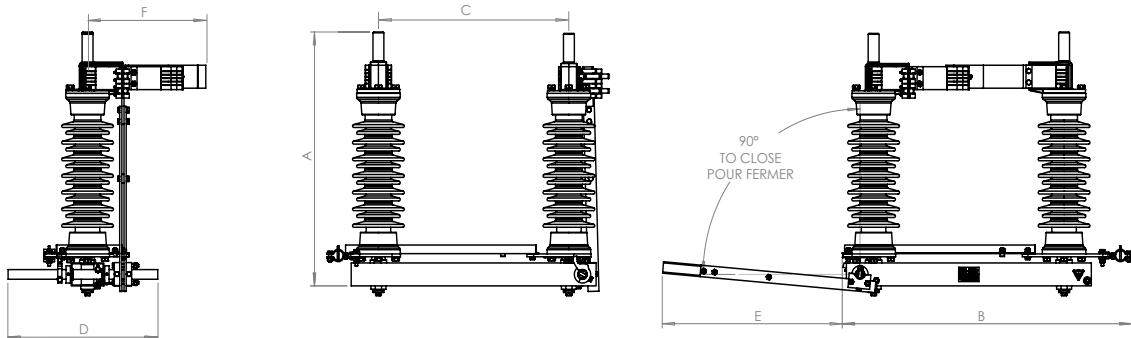
OPTIONAL DEVICES

| | |
|---------------------------------------|---|
| Configurations | Grease free, homologated versions RTE or SNCF |
| Operating mechanisms | Electrical drive or manual drive |
| Quick beaking device (RB) | 52kV : «RB» - inductive (6,3A) / capacitive (10A) 72,5kV and 100kV : «MC802» - inductive (6A) / capacitive (15A) |
| Earthing switch position | 1 side or both sides, axial or perpendicular (depending on voltage) |
| Earthing switch operation type | Independant or automatic |
| Ik earthing switch (kA/1s) | Disconnecter values with tk:1s (3s values option) |
| Interlocking device | Mechanical |
| Bus-transfer current switching | IEC 62271-102 |
| Induced current switching | IEC 62271-102 |

For other values, please contact us.



OUTLINE DRAWING



The drawing above is given for information only. Detailed layout and digital drawing available on request.

| Ur | Ir max | Terminals | A | B | C | D | E | F | Weight/pole (approx.) kg |
|--------|--------|-----------|------|------|------|-----|------|-----|-----------------------------|
| | | | mm | mm | mm | mm | mm | mm | |
| 52kV | 4000A | V* | 970 | 800 | 700 | 500 | 723 | 435 | 126 |
| 72,5kV | 4000A | V* | 1150 | 1000 | 900 | 500 | 900 | 580 | 156 |
| 100kV | 4000A | V* | 1400 | 1350 | 1200 | 500 | 1220 | 680 | 186 |
| 123kV | 4000A | V* | 1730 | 2166 | 1650 | 600 | 1420 | 950 | 282 |
| 145kV | 4000A | V* | 1970 | 2166 | 1650 | 600 | 1620 | - | 342 |
| 170kV | 4000A | V* | 2200 | 2416 | 1900 | 600 | 1880 | - | 426 |
| 245kV | 4000A | V* | 2870 | 3016 | 2500 | 600 | 2480 | - | 582 |

* V = Vertical. Above are mentioned maximum dimensions, tolerance $\pm 10\%$. For other values, please consult us.

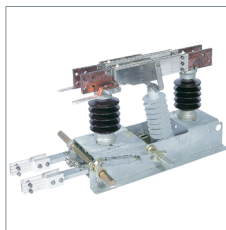
RELATED EQUIPMENT



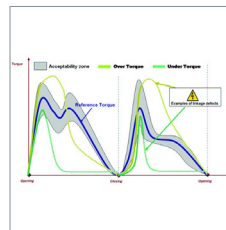
SR16201H
DOUBLE BREAK
DISCONNECTER



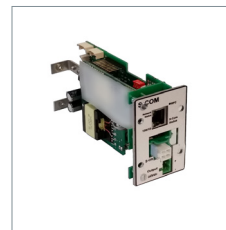
PE
PANTOGRAPH
DISCONNECTER



SBE
VERTICAL BREAK
DISCONNECTER



S-TORQUE
MECHANICAL FAILURE
AND POSITION
DETECTION



S-COM
REMOTE CONTROL
BOARD



S-OFT
PORTABLE
DIAGNOSTIC TOOL