

OUTDOOR EARTHING SWITCH UP TO 550kV



MAIN FEATURES

- Used for power transmission and distribution VHV substations and railway substations.
- Arrangement in horizontal position, single-pole or group operated.
- Standards references : IEC 62271-1/102.

TECHNICAL FEATURES

SERVICE CONDITIONS										
Condition of use	Outdoor									
Operating temperature range	-25°C / +40°C (option: special service conditions)									
Seismic withstand	≤ 0,2 g (option: higher service conditions)									
Ice operation	10 mm (option: higher service conditions)									
ELECTRICAL										
Rated voltage	Ur	kV	123	145	170	245	300	362	420	550
Rated lightning impulse withstand voltage (BIL)	Up	kV	550	650	750	1175	1300	1425	1550	1800
Rated frequency	f	Hz	50/60 / 16 2/3 Hz							
Short time current	Ik max	kA	63							
Breaking capacity	0,5 A									

peak values (I_p peak) in kA for short time current: 63kA: 164.

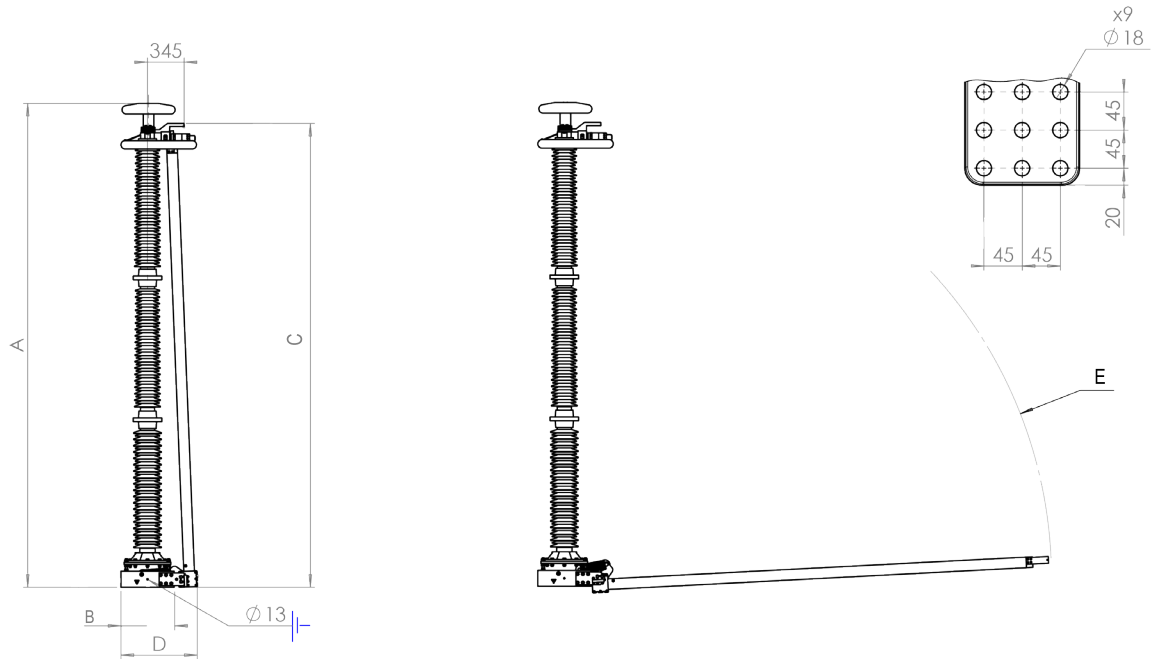
MECHANICAL	standard	option
Mechanical endurance / lifetime	1 000 operations	2 000 operations
Creepage distance	Cl3 (d)	Cl4 (e)
Insulator type	porcelain (brown)	-
Primary terminals	aluminium pads	cylindrical copper terminals
Interlocking device	mechanical (key lock)	-

OPTIONAL DEVICES

Configurations	single-pole or group operated. Short time currents in 3s values.
Operating mechanisms	electrical drive or manual drive
Induced current switching	IEC 62271-102 Annexe B and § 5.104

For other values, please contact us.

OUTLINE DRAWING

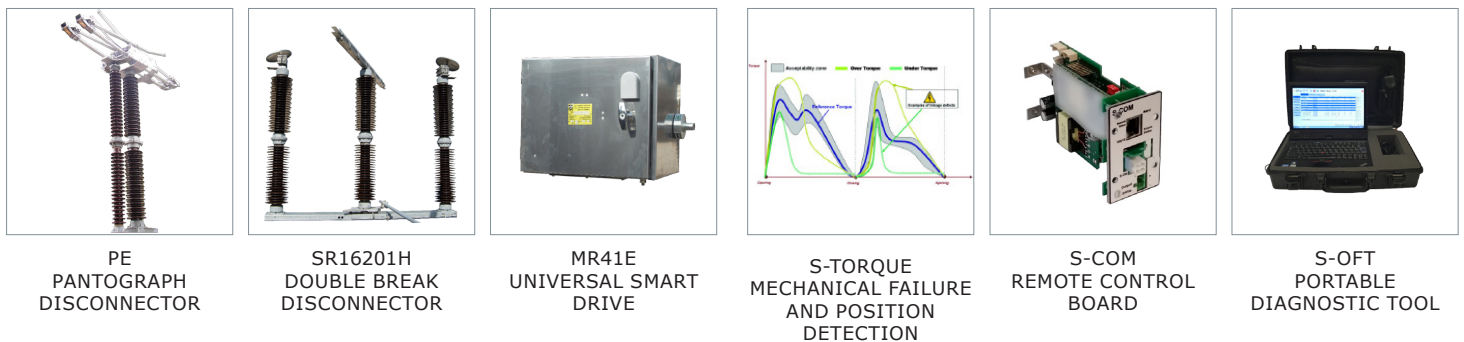


Detailed layout and digital drawing available on request.

Ur	Terminals	A	B	C	D	E	Weight/pole (approx.)
		mm	mm	mm	mm	mm	kg
123 kV	H*	1410	360	1410	490	1285	80
145 kV	H*	1690	360	1690	490	1575	100
170 kV	H*	1900	360	1900	490	1780	140
245 kV	H*	2500	360	2500	490	2375	190
300 kV	H*	3095	360	2905	490	2790	220
362 kV	H*	3345	360	3155	490	3040	250
420 kV	H*	3920	500	3730	720	3585	340
550 kV	H*	4570	500	4380	720	4235	385

* H = Horizontal. Above are mentioned maximum dimensions, tolerance $\pm 10\%$. For other values, please contact us.

RELATED EQUIPMENT



PE PANTOGRAPH DISCONNECTOR

SR16201H DOUBLE BREAK DISCONNECTOR

MR41E UNIVERSAL SMART DRIVE

S-TORQUE MECHANICAL FAILURE AND POSITION DETECTION

S-COM REMOTE CONTROL BOARD

S-OFT PORTABLE DIAGNOSTIC TOOL