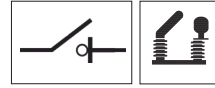
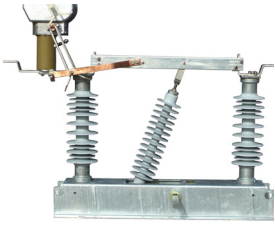


# IT25



## OUTDOOR VACUUM BREAKING SWITCH UP TO 52kV



### MAIN FEATURES

- Used for railway electrification of catenaries, feeders, substations and containerized substations.
- Arrangement in horizontal or vertical position, or back-to-back position, single-pole or group operated. Options: earthing switch, enclosure/cubicle, grease free version for low maintenance.
- Standards references : IEC 62271-1/103, EN 50152-2

### TECHNICAL FEATURES

#### SERVICE CONDITIONS

<b>Condition of use</b>	Outdoor or cubicle
<b>Operating temperature range</b>	-25°C / +40°C (option : special service conditions)
<b>Seismic withstand</b>	≤ 0,2 g (option : special service conditions)
<b>Ice operation</b>	10 mm (option : special service conditions)

#### ELECTRICAL

<b>Rated voltage</b>	Ur	kV	<b>25</b>		
<b>Rated lightning impulse withstand voltage (BIL)</b>	Up	kV	250		
<b>Rated frequency</b>	Fr	Hz	50/60		
<b>Rated current</b>	Ir	A	2 000		
<b>Short time current</b>	Ik	kA	31,5		
<b>Rated making short circuit current</b>	Ima	kA	20 (IT25L)	31,5 (IT25N)	50 (IT25H)

peak values ( $I_p$ ) in kA for short time currents: 31,5kA: 82.

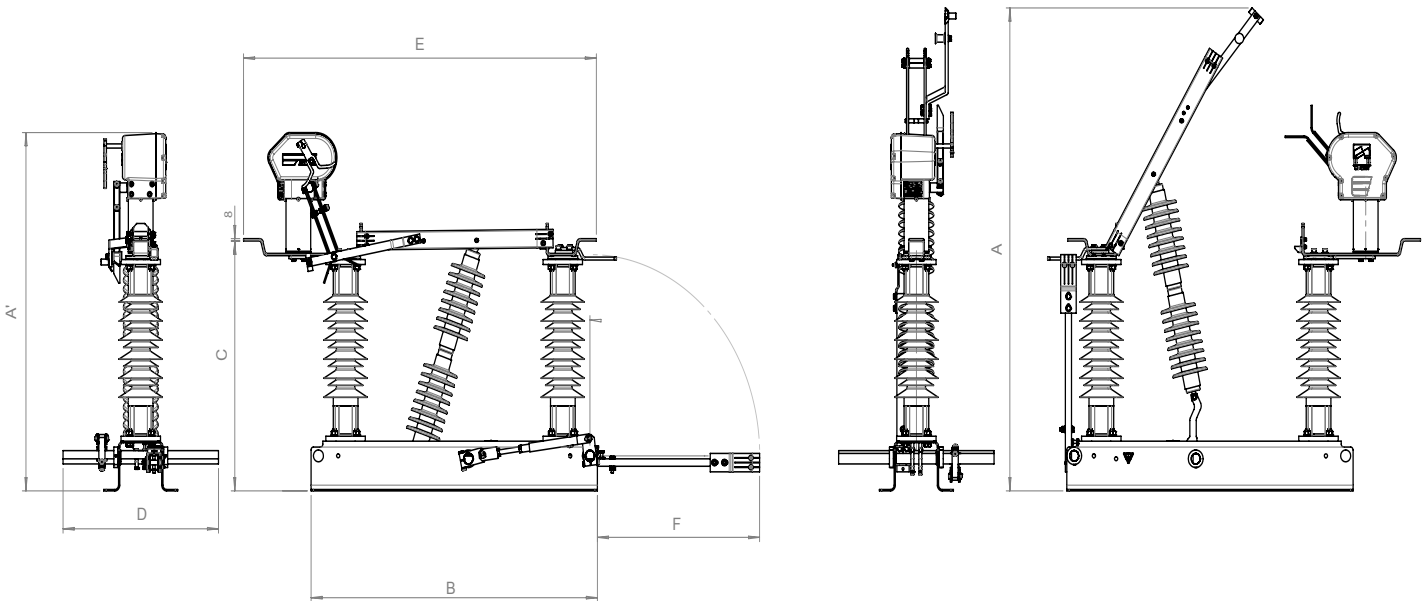
MECHANICAL	standard	option
<b>Mechanical endurance / lifetime</b>	10 000 operations	-
<b>Creepage distance</b>	Cl3 (d)	Cl4 (e)
<b>Insulator type</b>	Porcelain (brown)	Composite
<b>Primary terminals</b>	Copper pads	Tinned copper or silver plated copper

### OPTIONAL DEVICES

<b>Configurations</b>	Enclosed, grease free version
<b>Operating mechanisms</b>	Electrical drive or manual drive
<b>Earthing switch position</b>	1 side or both sides
<b>Earthing switch operation type</b>	Independant or automatic *
<b>Ik earthing switch (kA/1s)</b>	Disconnecter values contact us for 3s values)
<b>Interlocking device</b>	Mechanical

\* When disconnecter opens, earthing switch closes and conversely.  
For other values, please contact us.

## OUTLINE DRAWING

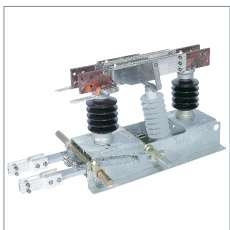


Detailed layout and digital drawing available on request.

Ur	Ir max	Terminals	A	A'	B	C	D	E	F	Weight/pole (approx.) kg
			mm	mm	mm	mm	mm	mm	mm	
52kV	2000A	H*	1651	1225	1160	855	630	1430	657	107

\* H = Horizontal. Above are mentioned maximum dimensions, tolerance  $\pm 10\%$ . For other values, please consult us.

## RELATED EQUIPMENT



**SBE**  
VERTICAL BREAK  
DISCONNECTOR



**ITR**  
ROCKING VACUUM  
BREAK SWITCH



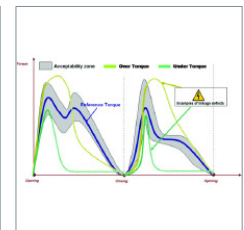
**MR41E**  
UNIVERSAL SMART  
DRIVE



**S-COM**  
REMOTE CONTROL  
BOARD



**S-VOLT**  
VOLTAGE DETECTOR



**S-TORQUE**  
MECHANICAL FAILURE  
AND POSITION  
DETECTION