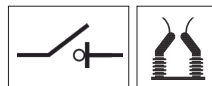
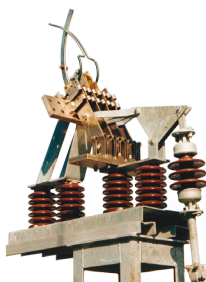


IT3000



OUTDOOR AIR BREAKING SWITCH UP TO 3kV



MAIN FEATURES

- Used for railway electrification of catenaries and feeders.
- Arrangement in horizontal position, single-pole or group operated.
- Standards references : IEC 62271-1/102, EN 50152-2, EN 50123-4.

TECHNICAL FEATURES

SERVICE CONDITIONS

Condition of use	Outdoor
Operating temperature range	-25°C / +40°C (option : special service conditions)
Seismic withstand	≤ 0,2 g (option : special service conditions)
Ice operation	1 mm (option : special service conditions)

ELECTRICAL

Rated voltage	Ur	kV	750V	1,5	3
Rated lightning impulse withstand voltage (BIL)	Up	kV	95		
Rated frequency	Fr	Hz	50/60		
Rated current	Ir	A	2 000 - 3000 - 4000		
Short time current	Ik max	kA	50		
Breaking capacity of small currents		A	0,5		
Rated making short circuit current	Ima	kA	-		

peak values (I_p peak) in kA for short time currents: 50kA: 130.

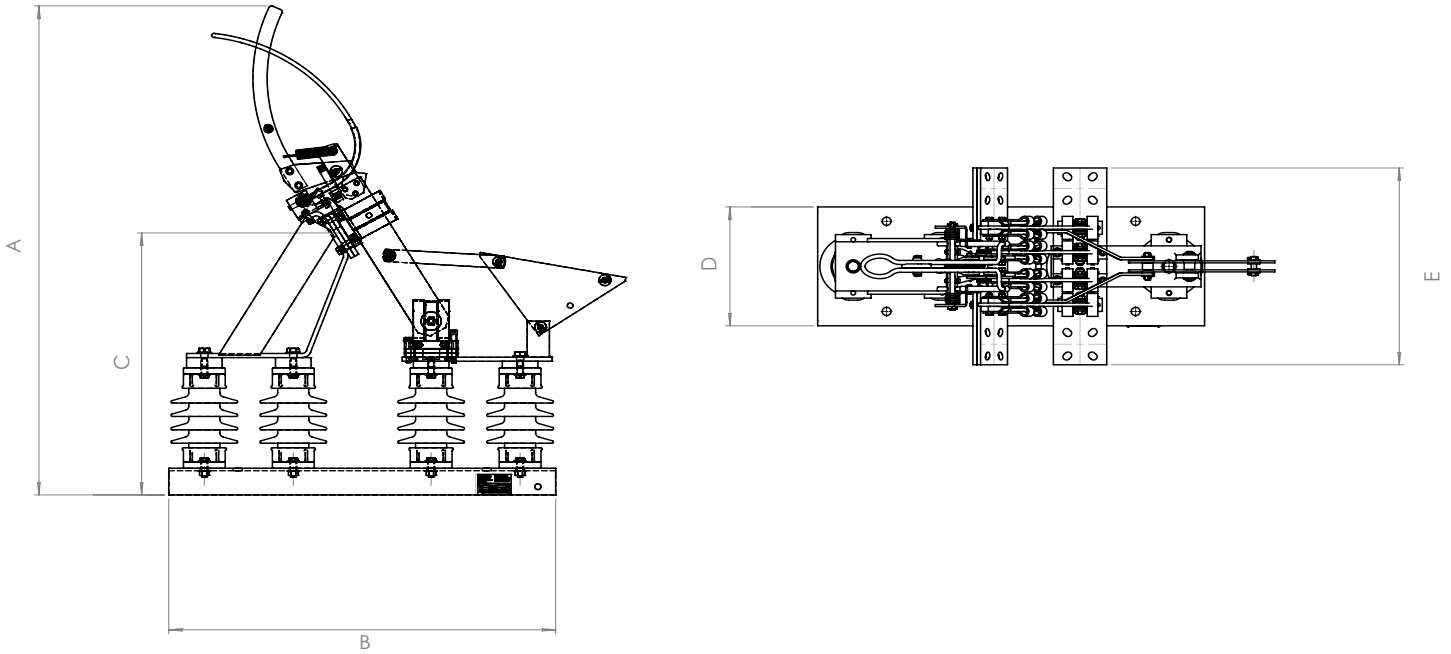
MECHANICAL	standard	option
Mechanical endurance / lifetime	2 000 operations	10 000 operations
Creepage distance	Cl3 (d)	Cl4 (e)
Insulator type	porcelain (brown)	-
Primary terminals	nickel plated copper pads	other

OPTIONAL DEVICES

Configurations	single pole or group operated
Operating mechanisms	electrical drive or manual drive

For other values, please contact us.

OUTLINE DRAWING

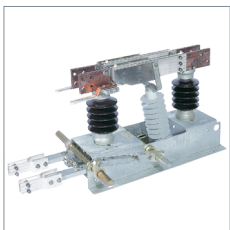


Detailed layout and digital drawing available on request.

Ur	Ir max	Terminals	A	B	C	D	E	Weight/pole (approx.) kg
			mm	mm	mm	mm	mm	
3kV	4000	H*	1195	870	639	290	480	130

* H = Horizontal. Above are mentioned maximum dimensions, tolerance $\pm 10\%$. For other values, please consult us.

RELATED EQUIPMENT



SBE
VERTICAL BREAK
DISCONNECTOR



OVB
SELECTOR SWITCH



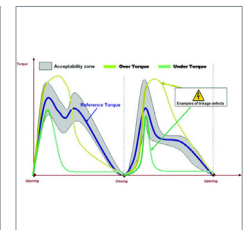
MR41E
UNIVERSAL SMART
DRIVE



S-COM
REMOTE CONTROL
BOARD



S-VOLT
VOLTAGE DETECTOR



S-TORQUE
MECHANICAL FAILURE
AND POSITION
DETECTION