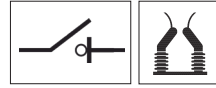
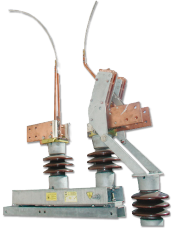


IT3600



OUTDOOR AIR BREAKING SWITCH UP TO 3kV



MAIN FEATURES

- Used for railway electrification of catenaries and feeders.
- Arrangement in horizontal position, single-pole or group operated.
- Standards references: IEC 62271-1, IEC 62271-103, EN 50152-2, EN 50123-1.

TECHNICAL FEATURES

SERVICE CONDITIONS

| | |
|------------------------------------|---|
| Condition of use | Outdoor |
| Operating temperature range | -25°C / +40°C (option : special service conditions) |
| Seismic withstand | ≤ 0,2 g (option : special service conditions) |
| Ice operation | 10 mm (option : special service conditions) |

ELECTRICAL

| | | | | | |
|--|--------|----|-------------|------------|----------|
| Rated voltage | Ur | kV | 750V | 1,5 | 3 |
| Rated lightning impulse withstand voltage (BIL) | Up | kV | 95 | | |
| Rated frequency | Fr | Hz | DC | | |
| Rated current | Ir | A | 4000 | | |
| Short time current | Ik max | kA | 50/1s | | |
| Rated making short circuit current | Ima | kA | 60kA peak | | |

peak values (I_p peak) in kA for short time current: 50kA: 130.

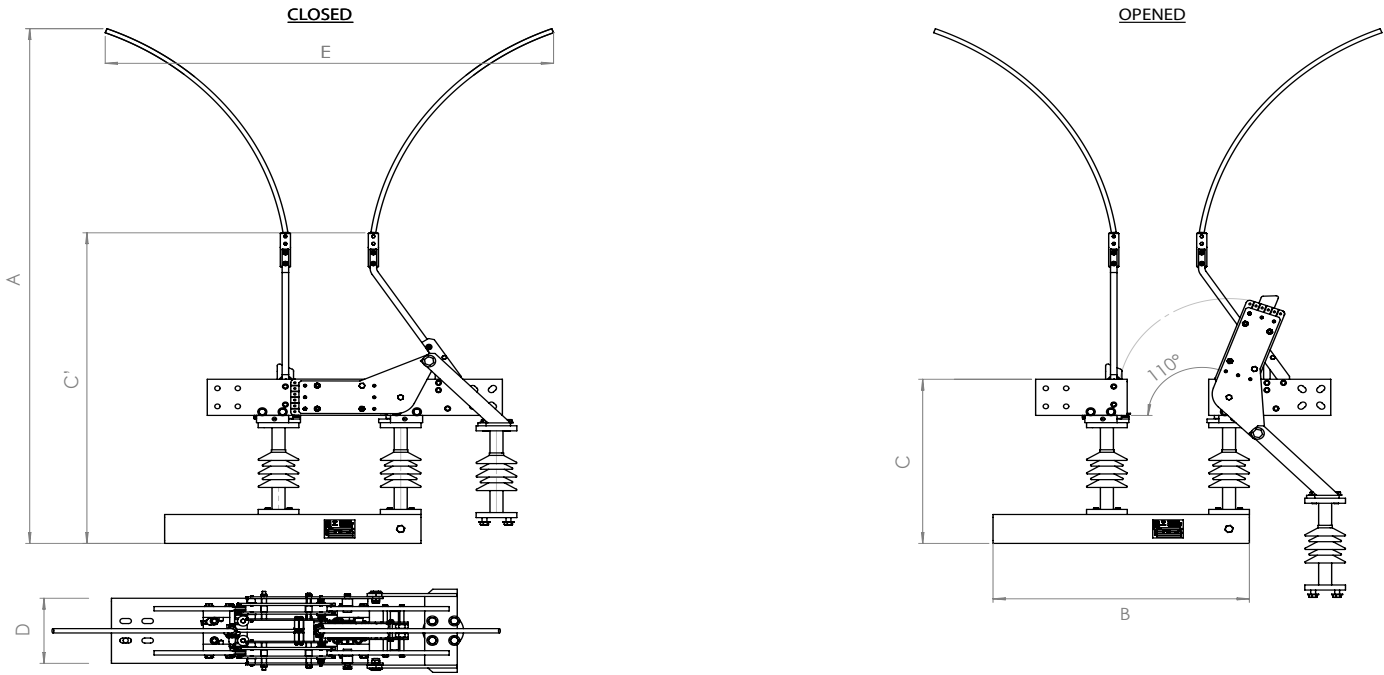
| MECHANICAL | standard | option |
|--|-------------------|---------|
| Mechanical endurance / lifetime | 10 000 operations | - |
| Creepage distance | Cl3 (d) | Cl4 (e) |
| Insulator type | Porcelain (brown) | - |
| Primary terminals | Copper pads | Other |

OPTIONAL DEVICES

| | |
|-----------------------------|----------------------------------|
| Configurations | Single pole or group operated |
| Operating mechanisms | Electrical drive or manual drive |

For other values, please contact us.

OUTLINE DRAWING

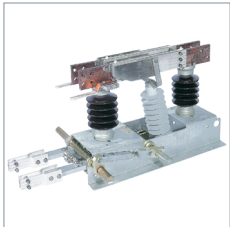


Detailed layout and digital drawing available on request.

| Ur | Ir max | Terminals | A | B | C | C' | D | E | Weight/pole (approx.) kg |
|-----|--------|-----------|------|-----|-----|-----|-----|------|-----------------------------|
| | | | mm | mm | mm | mm | mm | mm | |
| 3kV | 4000A | H* | 1424 | 630 | 454 | 859 | 110 | 1102 | 60 |

* H = Horizontal. Above are mentioned maximum dimensions, tolerance $\pm 10\%$. For other values, please consult us.

RELATED EQUIPMENT



SBE
VERTICAL BREAK
DISCONNECTER



OVB
SELECTOR SWITCH



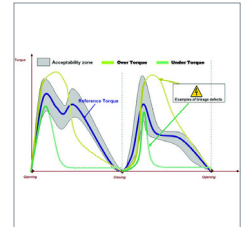
SBR
ROCKING
DISCONNECTER



S-COM
REMOTE CONTROL
BOARD



S-VOLT
VOLTAGE DETECTOR



S-TORQUE
MECHANICAL FAILURE
AND POSITION
DETECTION