

R77E



MANUAL OPERATING MECHANISM



MAIN FEATURES

- Manual operating mechanism with local operation, for outdoor disconnectors with connected or not connected poles.
- For disconnector : Center break, double break, earthing switch.

TECHNICAL FEATURES

MECHANICAL

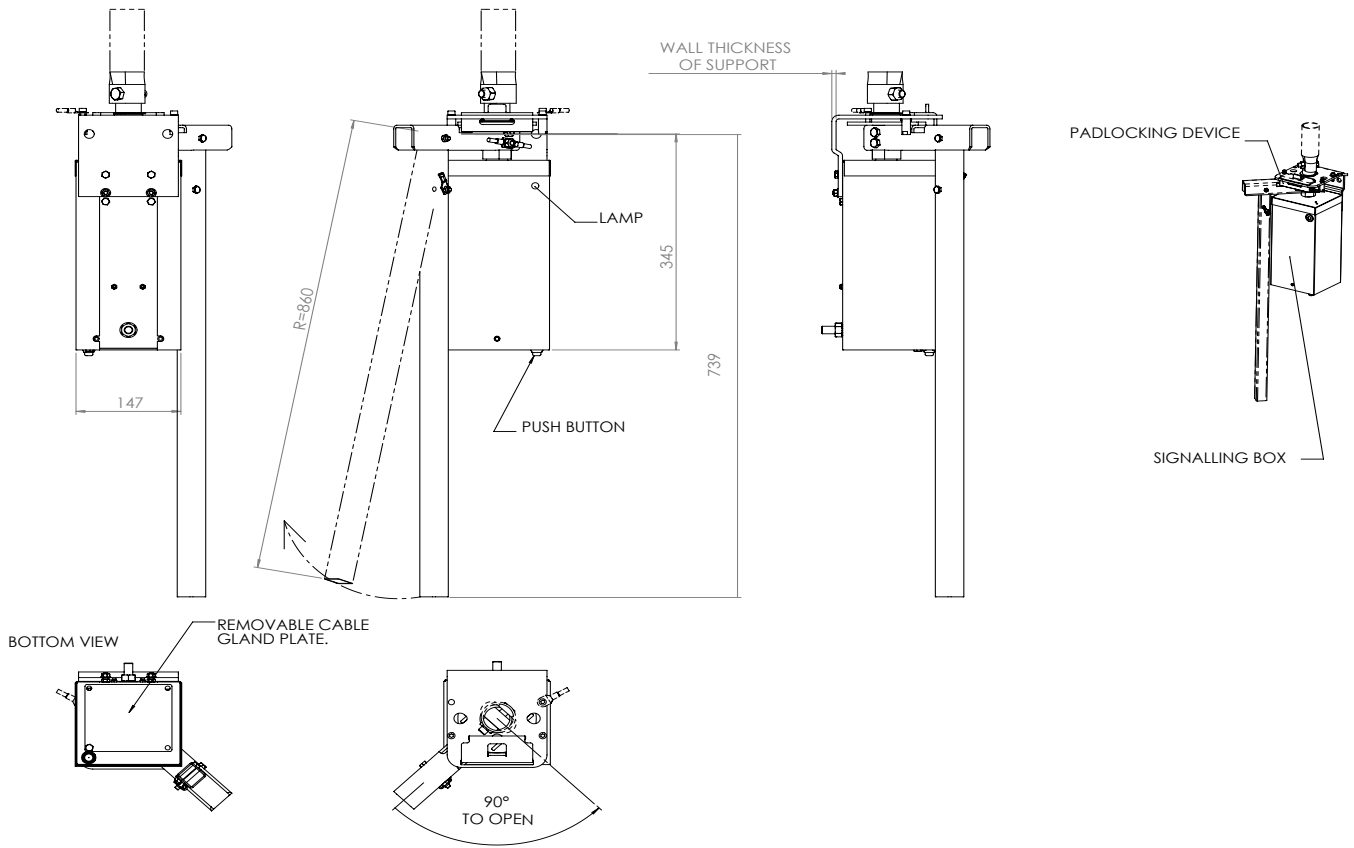
	Based and operating lever made with hot dip galvanized steel
Operating lever	
Length of lever	1000 mm
Maximum force	450 N
Mechanical locking in «open» and «closed» position	With padlock (padlock not supplied)
Rotating angle	90°
Weight	10 kg

OPTIONAL DEVICES

	4NO + 4NC
	6NO + 6NC/8NO + 8NC
	Insulation level: 2 kV
Auxiliary contacts	Rated current: 10 A
	Breaking capacity: 110 Vdc/1A
	Breaking capacity: 220Vdc/0,3A
	Breaking capacity: 220 Vac/2A
Heating resistance	230 Vac - 50/60 Hz with or without thermostat
Terminal block, marking off upon request	
Electro-magnetic lock with or without push-button and with or without signalling lamp	
Locking with keylocks (keylocks not supplied)	
Box protection degree IP43 (with options above), with cable gland plates (to drill on site).	

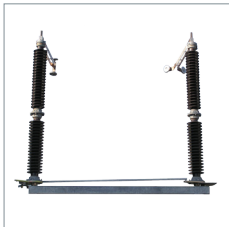


OUTLINE DRAWING

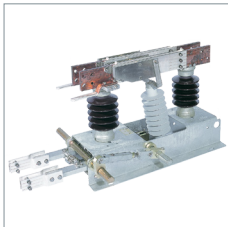


The drawing above is given for information only. Detailed layout and digital drawing available on request.

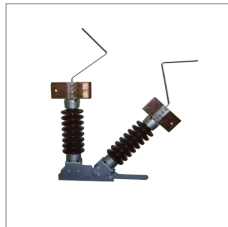
RELATED EQUIPMENT



SR16200
CENTER BREAK
DISCONNECTOR



SBE
VERTICAL BREAK
DISCONNECTOR



SBR
ROCKING
DISCONNECTOR



ST36001
EARTHING SWITCH



MR41R
ELECTRICAL
OPERATING DRIVE



MR41E
ELECTRICAL
OPERATING DRIVE