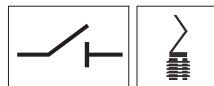


# SP16700



## OUTDOOR PANTOGRAPH DISCONNECTOR SWITCH UP TO 100kV



### MAIN FEATURES

- Used for railway electrification and transmission & distribution in MV/HV substations.
- Arrangement in horizontal. One arm pantograph disconnecter, with silver plated copper contacts engaging on contact bar fixed on the upper bushbar. Exists in RTE homologated version.
- Standards references: IEC 62271-102, IEC 62271-1.

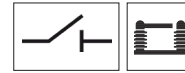
### TECHNICAL FEATURES

SERVICE CONDITIONS				
Condition of use	Outdoor			
Operating temperature range	-25°C / +40°C (option : special service conditions)			
Seismic withstand	≤ 0,2 g (option : special service conditions)			
Ice operation	10 mm (option : special service conditions)			
ELECTRICAL				
Rated voltage	Ur	kV	<b>72.5</b>	<b>100</b>
Rated lightning impulse withstand voltage (BIL)	Up	kV	325	450
Rated frequency	Fr	Hz	16.7 - 50/60	
Rated current	Ir	A	2000	
Short time current	Ik max	kA	31.5/15	
Breaking capacity	0,5A			

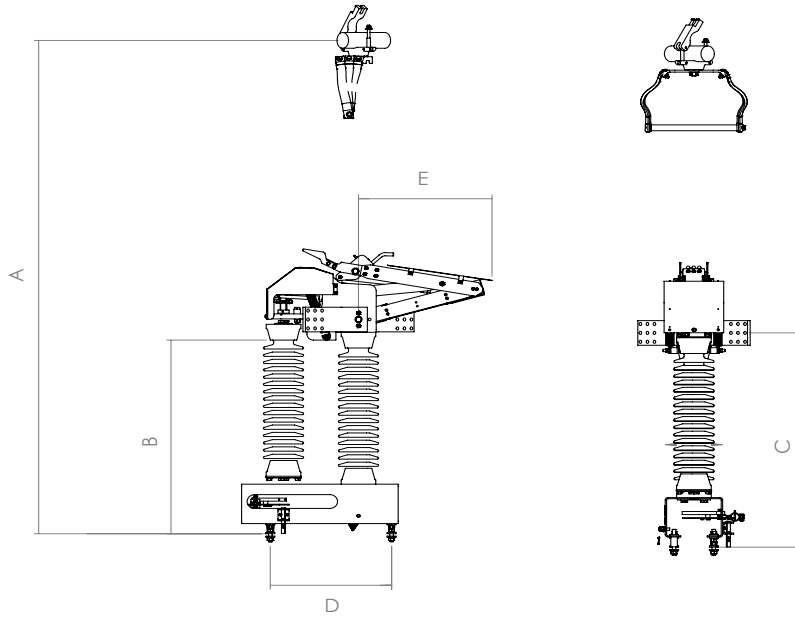
MECHANICAL	standard	option
Mechanical endurance / lifetime	2 000 operations	-
Creepage distance	Cl3 (d)	Cl4 (e)
Insulator type	Porcelain (brown)	-
Primary terminals	Aluminium pads	

### OPTIONAL DEVICES

Operating mechanisms	Electrical drive or manual drive
----------------------	----------------------------------



## OUTLINE DRAWING

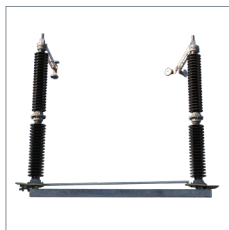


Detailed layout and digital drawing available on request.

Ur	Ir max	Terminals	A	B	C	D	E	Weight/pole (approx.) kg
			mm	mm	mm	mm	mm	
72.5kV	2000A	V and H*	2500	770	1090	340	600	137
100kV	2000A	V and H*	3150	1210	1340	340	750	162

\* V = Vertical. H = Horizontal. Above are mentioned maximum dimensions, tolerance  $\pm 10\%$ . For other values, please consult us.

## RELATED EQUIPMENT



SR16200  
CENTER BREAK  
DISCONNECTOR



ST36001  
EARTHING SWITCH



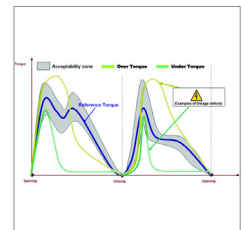
MR41E  
UNIVERSAL SMART  
DRIVE



S-COM  
REMOTE CONTROL  
BOARD



S-VOLT  
PORTABLE  
DIAGNOSTIC TOOL



S-TORQUE  
MECHANICAL FAILURE  
AND POSITION  
DETECTION