

OUTDOOR VACUUM BREAKING SWITCH UP TO 52kV



MAIN FEATURES

- Used for railway electrification of catenaries and feeders.
- Arrangement in horizontal position, single-pole or group operated.
- Options: earthing switch, enclosed/cubicle, grease free version for low maintenance.
- Standards references : IEC 62271-1/103, EN 50152-2.

TECHNICAL FEATURES

SERVICE CONDITIONS

Condition of use	Outdoor
Operating temperature range	-25°C / +40°C (option : special service conditions)
Seismic withstand	≤ 0,2 g (option : higher service conditions)
Ice operation	10 mm (option: higher service conditions)

ELECTRICAL

Rated voltage	Ur	kV	25
Rated lightning impulse withstand voltage (BIL)	Up	kV	250
Rated frequency	Fr	Hz	50/60
Rated current	Ir	A	2 000
Short time current	Ik max	kA	31,5
Rated making short circuit current	Ima	kA	20 (ITR-L) 31,5 (ITR-N)

peak values (I_p peak) in kA for short time currents: 31,5kA: 82.

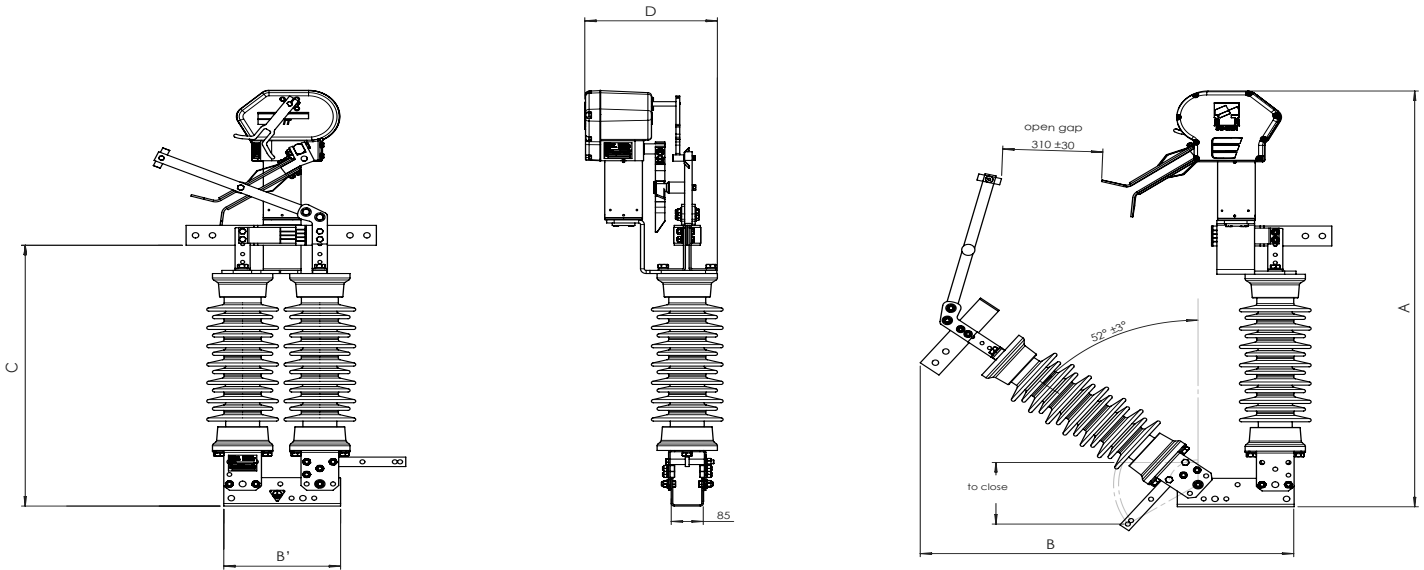
MECHANICAL	standard	option
Mechanical endurance / lifetime	10 000 operations	-
Creepage distance	Cl3 (d)	Cl4 (e)
Insulator type	Porcelain (brown)	Composite
Primary terminals	Copper pads	Tinned copper or silver plated copper

OPTIONAL DEVICES

Configurations	Enclosed, grease free version
Operating mechanisms	Electrical drive or manual drive
Earthing switch position	1 side
Earthing switch operation type	Independant or automatic
Ik earthing switch (kA/1s)	Disconnecter values (contact us for 3s values)
Interlocking device	Mechanical

* When disconnecter opens, earthing switch closes and conversely.
For other values, please contact us.

OUTLINE DRAWING

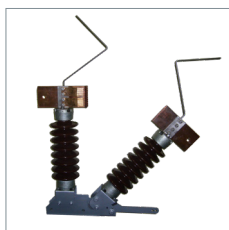


The drawing above is given for information only. Detailed layout and digital drawing available on request.

Ur	Ir max	Terminals	A	B	B'	C	D	Weight/pole (approx.) kg
			mm	mm	mm	mm	mm	
25kV	1250A	H*	1320	1050	310	826	355	50
52kV	2000A	H*	1380	1095	310	887	355	

* H = Horizontal. Above are mentioned maximum dimensions, tolerance $\pm 10\%$. For other values, please consult us.

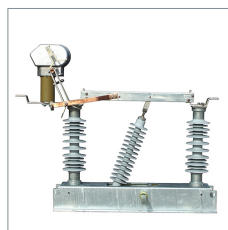
RELATED EQUIPMENT



SBR
ROCKING
DISCONNECTER



MR41E
UNIVERSAL SMART
DRIVE



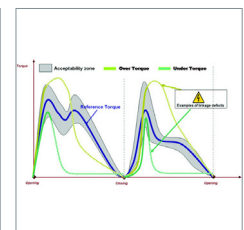
IT25N
VACUUM
BREAK SWITCH



S-COM
REMOTE CONTROL
BOARD



S-VOLT
VOLTAGE DETECTOR



S-TORQUE
MECHANICAL FAILURE
AND POSITION
DETECTION